

# AdvanPay-110™

## RFID UHF reader for points of sale

Watch a video of AdvanPay on [Youtube](#)

### Product overview

AdvanPay-110 is a high power RFID UHF reader that integrates:

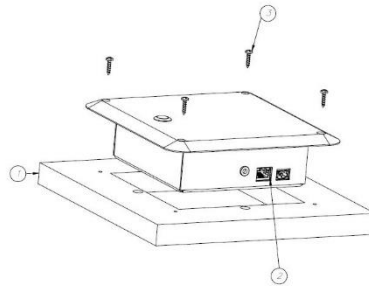
- An antenna with a highly confined reading area
- Keyboard emulation by hardware. It's not needed to install any software at the POS.
- Functionalities specifically designed to address the needs of staff at retail stores, libraries or other spaces

AdvanPay-110 has **3 operation modes**, that can be easily selected at any time:

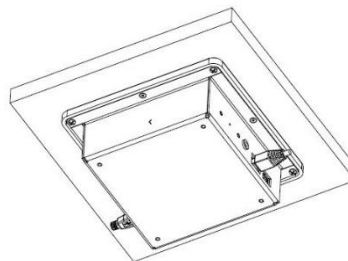
- Payment mode (green light)
- Return mode (red light)
- Read-only mode (blue light)

AdvanPay-110 comes in **two models**:

1. **Flush mount** (installed recessed in a surface)



2. **Under table mount** (installed underneath the surface)



### Main characteristics

AdvanPay-110 has a **highly confined reading area**, even with far field RFID tags. It only reads the tags that are placed slightly above its surface, which avoids reading unwanted RFID tags.

AdvanPay-110 includes **hardware keyboard emulator** (micro USB Type-B connector) that allows a very easy and fast integration with point of sales applications, without having to modify such software applications.

The keyboard emulator is easily configured to send the keyboard codes required by each software application.

AdvanPay-110 is **stand alone**. It just needs to be powered with the supplied PoE injector and connected to a computer through the supplied **USB** cable.

AdvanPay-110 can be optionally connected to an Ethernet network switch. This gives AdvanPay the advantages of an **Ethernet-enabled device**: remote control, centralized management, etc.



### Benefits:

- Highly controlled reading area
- Automatic integration with most software applications, through hardware keyboard emulation
- Easy installation and monitoring
- For retailers:
  - Queues reduction, thanks to a much faster payment process
  - Improved customer shopping experience, derived from a shorter payment time
  - Reduction in employee costs
  - Simultaneous item detection and EAS flag activation/deactivation

### Applications:

- Point of sales
- Registering at events
- Document and product tracking
- RFID programming
- Verification of tagged items

# AdvanPay-110™

## RFID UHF reader for points of sale



Thanks to its size and its support piece, AdvanPay-110 is the perfect choice for various applications such as point-of-sales, document tracking and RFID programming stations.

In retail stores, AdvanPay-110 reads the EPC codes of the products being purchased while simultaneously **deactivating the EAS flag** of such products, for loss prevention. It can also be connected to an **external speaker** to increase the volume of the beep.



AdvanPay-110 under table mount can also be optionally connected to an **external controller** for changing the operation mode, and for turning AdvanPay on and off.



AdvanPay-110 can be used together with AdvanSafe, AdvanMat or AdvanGate to provide a **complete loss prevention system** fully based on RFID UHF.

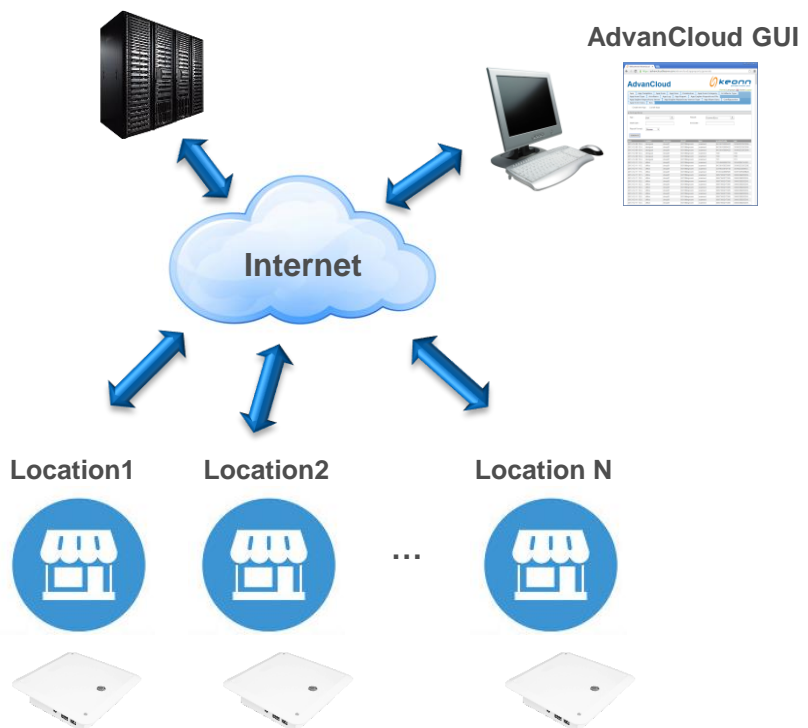
### Connection to AdvanCloud

AdvanPay can be optionally connected to AdvanCloud cloud-based software platform.

The EPC codes of read RFID are reported to AdvanCloud. This information can then be analyzed for **business intelligence** purposes:

- Products sold
- Products returned
- Cross-selling
- ...

### AdvanCloud servers



# AdvanPay-110™

## RFID UHF reader for points of sale



### Main functionalities

- Automatically extracts the EAN13 from the EPC
- Includes hardware keyboard emulator that allows to integrate AdvanPay-110 with almost any POS software very quickly, without changing the POS software nor installing additional software in the POS.
- For retail applications, tags can be encoded with EAN13, EAS flag and a serial number
- When write mode is activated, the output power can be automatically increased, and automatically decreased after exiting write mode
- Allows to configure transmitted and write power
- Automatically sends the EPC or EAN13 to the PC

### Radiofrequency specifications

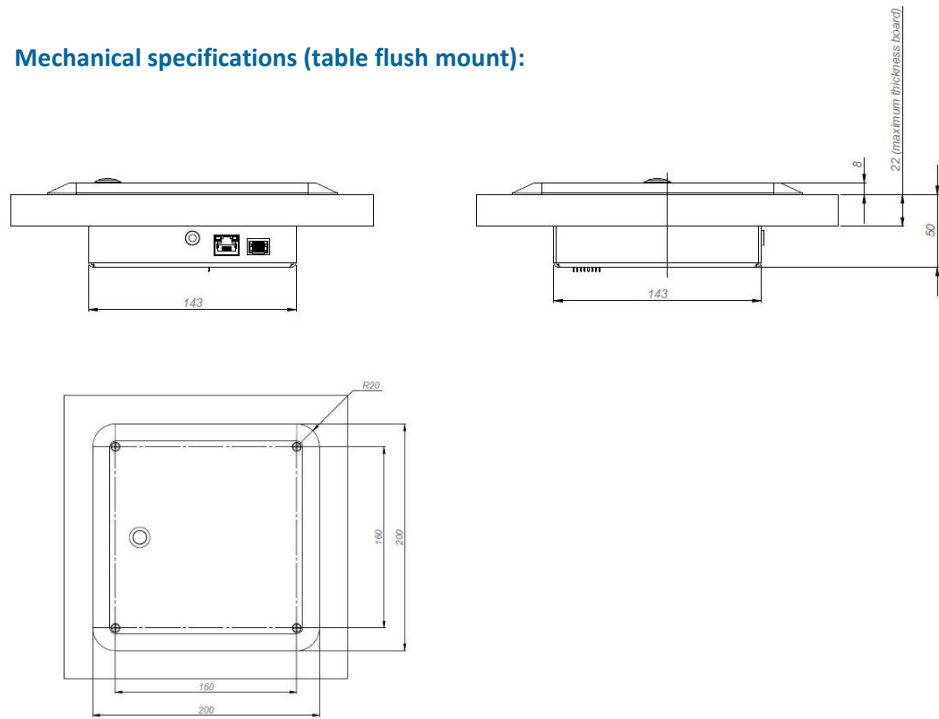
Air Protocol Interface	EPCglobal UHF Class 1 Gen 2 / ISO 18000-6C
Frequency	FCC (NA, SA) (917.4 – 927.2) MHz ETSI (EU) (865.6 - 867.6) MHz TRAI(India) (865 - 867) MHz KCC (Korea) (917 – 923.5) MHz MIC (Japan) (916.9 – 923.4) MHz ACMA (AU) (920 – 926) MHz NZ (New Zealand) (922 - 927) MHz SRRC-MII (P.R.China) (920.125 – 924.875) MHz Brazil (917.4 – 927.2) MHz by using channel selection Chile(917.4 – 927.2) MHz by using channel selection Peru (917.4 – 927.2) MHz by using channel selection Taiwan (922.600 – 927.2) MHz by using channel selection Open Region (859 – 873) MHz and (915 – 930) MHz (by using channel selection)
RF Power	Programmable from 5 dBm to 27dBm in 0.5 dBm steps.
Antenna	Integrated Circularly Polarized Antenna
Data communications	Ethernet: IEEE 802.3 up to 100 Mbps USB HID to emulate barcode reader
Power supply	Power Over Ethernet (PoE): <ul style="list-style-type: none"> <li>• Supports IEEE 802.3af (Type I) and IEEE 802.3at (Type II)</li> <li>• Power consumption: Class 3</li> </ul> On-board battery for RTC chip
On-board actuators	Buzzer
LED indicators	Three LED for indicating the active operation mode: <ul style="list-style-type: none"> <li>• Payment mode (green)</li> <li>• Return mode (red)</li> <li>• Read-only mode (blue)</li> </ul> When the LED is flashing means that the reader reading
Output	2 Watt output for 8 ohm loudspeaker
Compatibility with software applications	Can be easily integrated with any application software, through keyboard wedge
Power consumption	Idle consumption < 3 W Max consumption (@27 dBm) < 14 W
Temperature range	-20°C to +50°C
Dimensions (table flush mount)	200 x 200 x 58 mm (7.9 x 7.9 x 2.3 inches)
Dimensions (under table mount)	183 x 183 x 56 mm (7.2 x 7.2 x 2.2 inches)
Weight (table flush mount)	870 g (aprox.)
Weight (under table mount)	650 g (aprox.)

# AdvanPay-110™

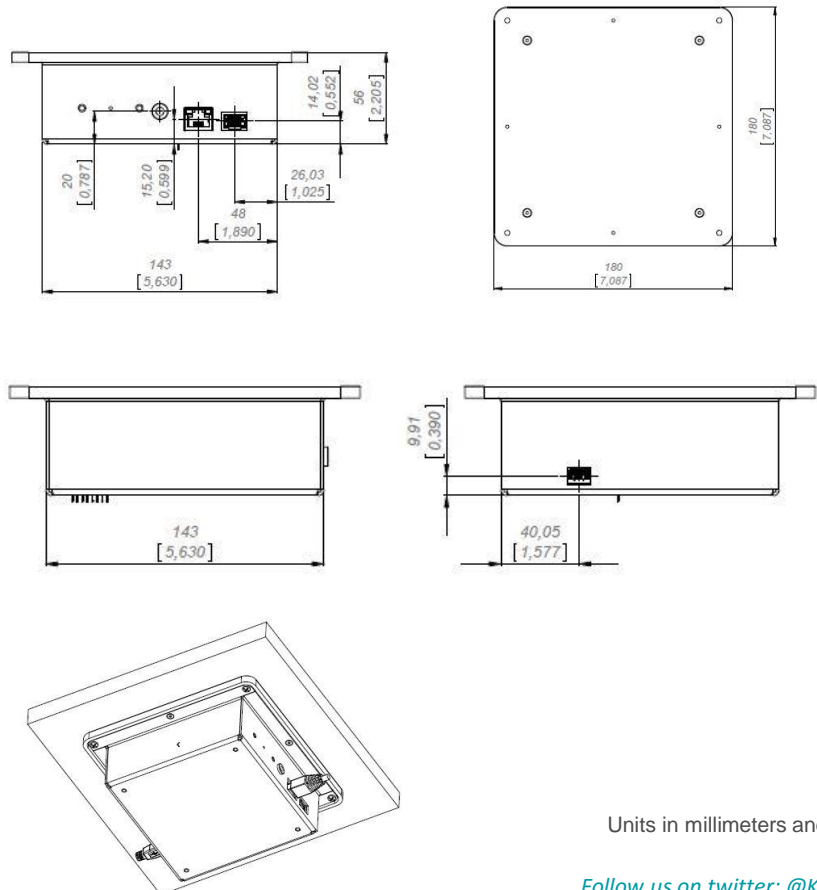
## RFID UHF reader for points of sale



### Mechanical specifications (table flush mount):



### Mechanical specifications (under table mount):



Units in millimeters and [inches]

Follow us on twitter: @KeonnTech

# AdvanPay-110™

## RFID UHF reader for points of sale



### Product codes for ordering

ADPY	-	C	M	-	FF	-	mmm	
		C						<b>C = confined</b>
								Confined reading area
								<b>M = mount</b>
			U					Under table mount
			F					Table flush mount
								<b>FF = frequency band</b>
					EU			865,6 MHz - 867,6 MHz
					US			902,0 MHz - 928,0 Mhz
								<b>Model</b>
							110	model number

For example:

- **ADPY-CU-EU-110:**
  - AdvanPay
  - Confined
  - Under table mount
  - Frequency band: 865,6 MHz - 867,6 MHz
  - Model 110